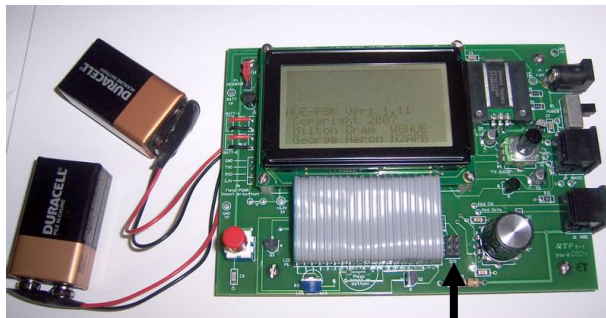


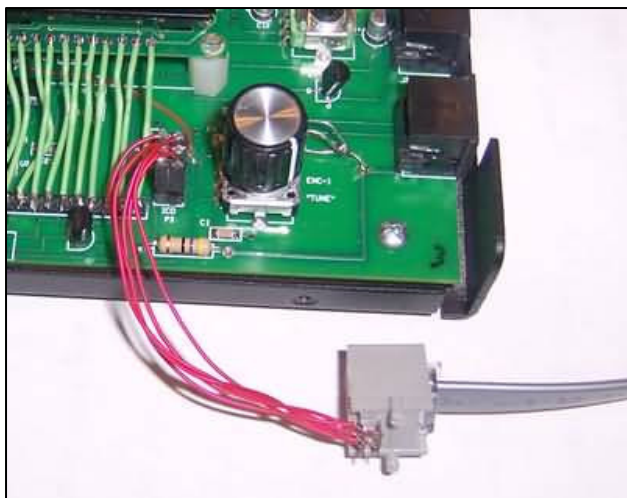
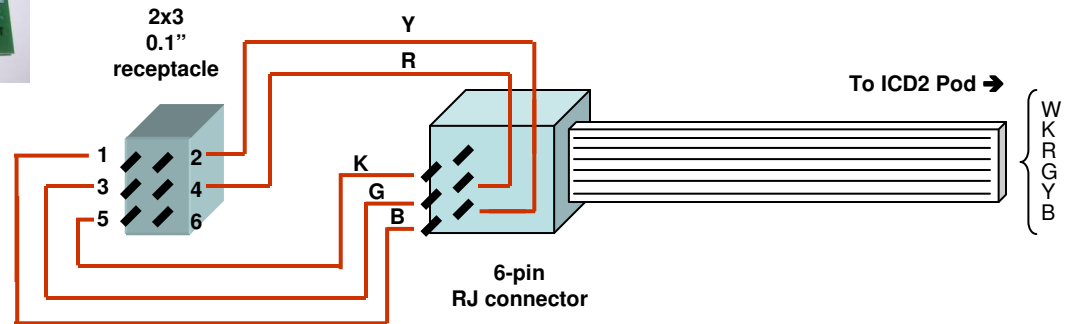
NVE-PSK Digital Modem

ICD2-to-P3 Cable

An interface cable connecting the ICD2 programming pod to the P3 connector on the modem PCB.
(Needed only by software developers needing to program the full application and bootloader software to the dsPIC controller on the modem board.)



To
P3



Wiring Notes:

There are two ways to connect the ICD2 pod cable to the P3 connector ...

1) Using a 6-pin RJ transition connector ... wire the pins to the 3x3 connector as shown with the red wires;

... Or ...

2) Cut the plug from the 6-wire flat cable coming from the ICD2 pod and connect the wires (colored W, K, R, G, Y and B) directly to the 2x3 connector, as shown above. (Note: The color ordering may be reversed if your flat cable reversed. If so, just wire positionally: bottom wire to 2x3 pin 1, etc.)